

Fact Sheet

GLPmaxx 80

BIZERBA

*GLP maxx ... more features, more convenience, more functionality.
Regardless if used as a stand-alone printer, total printer or for weight-related product labeling, the GLPmaxx with its powerful processor meets today's and tomorrow's requirements.*

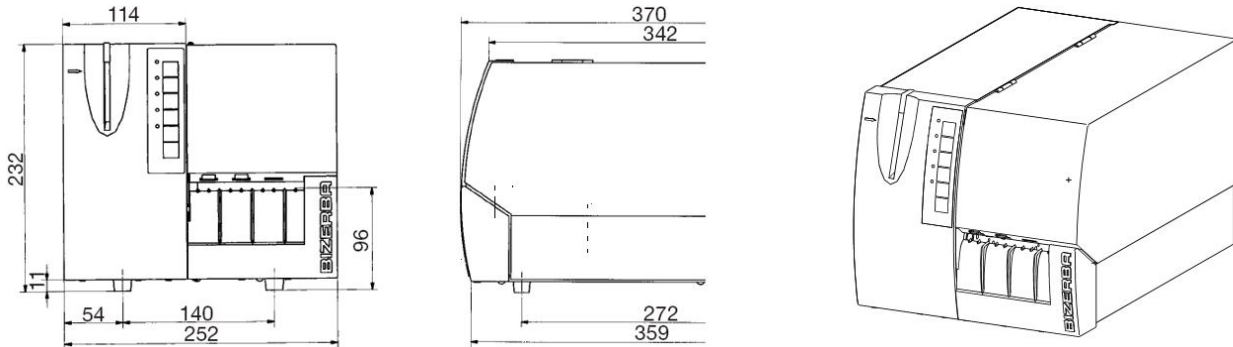


More information
High performance
with a wide range of
solutions and options.

Specifications	Facts	Details
Weighing range LA18 A/M	6 kg / 2 g	Minimum load 40 g / verification scale intervals 3,000
	15 kg / 5 g	Minimum load 100 g / verification scale intervals 3,000
	12 kg / 2 g	Minimum load 40 g / verification scale intervals 6,000
	3/6 kg // 1/2 g	Minimum load 20 g / verification scale intervals 2x3,000
	6/15 kg // 2/5 g	Minimum load 40 g / verification scale intervals 2x3,000
	I-ADC	Enables connection of other types of load receptors
Printing technology	Printing method	Thermal direct (optionally thermal transfer)
	Resolution	8 dot/mm (optional 12 dot/mm)
	Print width	56 mm (optional 80 mm)
	Print speed	max. 250 mm/s
	Label output	80 mm
Printer	Label size	min. 30 mm (W) x 20 mm (L) max. 80 mm (W) x 500 mm (L)
	Label roll	Core diameter 40-76 mm Outer diameter max. 150 mm
	Thermal transfer ribbon	Core diameter 25.4 mm Outer diameter 81 mm
Barcode versions	All standard barcodes	EAN/UPC 8, EAN/UPC 13, EAN/UPC 128, Code 2/5 int. Code 39, Code 128, GS1-128, PDF 417, PDF 417 with AI, GS1 DataBar Omni, GS1 DataBar, Data Matrix, QR code
Mains voltage	230 V / 50-60 Hz	
	110 V / 60 Hz	
Operating temperature	0 °C to 40 °C	Stand-by up to -10 °C
Humidity	20 - 90%, non-condensing	
IP rating	IP20	
Memory	2 GB	Compact Flash card
Weight	10.92 kg	
Operating panel	Operation via keyboard	Optional GT-12C with 12" color touchscreen
	7" color display	

Specifications	Facts	Details
Thermal transfer device		Printing is done via thermal transfer ribbon
GLP-WA	Option Automatic price labeling weighing instrument	This option is required if the product to be weighed is fed into the scale via an upstream conveyor.
I-ADC	Internal analog / digital converter	For connection of analog load receptors up to 56 Ohm
Printer driver	For print jobs sent straight from Office programs, such as Word or PowerPoint	Windows Vista, Windows 7, Windows 8, Windows 8.1, Windows Server 2008, Windows Server 2008R2

Dimensional drawings



Bizerba SE & Co. KG
 Wilhelm-Kraut-Straße 65
 72336 Balingen

T +49 7433 12-0
 fax: +49 7433 12-2696
 marketing@bizerba.com

www.bizerba.com