

Fact Sheet

CWEmaxx 1500

BIZERBA

Our high-performance checkweigher CWEmaxx is designed for up to 400 packages per minute. This all-rounder can be used for products weighing between 10 g and 15 kg and allows many applications thanks to IP65 protection.



More information
High performance
with a wide range of
solutions and options.

Specifications	Facts	Details
Weighing data	Weighing range: 1,000-1,500 g Scale division d: 0.1-0.5 g Verification scale interval e: 0.2-1 g Minimum load: 10-150 g	600 1,000 g 600 1,500 g 1,500 g 1,500 g 0.2 g 0.5 g 0.2 g 0.5 g 0.5 g 0.1 g 0.2 g 0.5 g 0.2 g 0.5 g 0.5 g 1 g 10 g 20 g 50 g 150 g
Performance data	Max. throughput: 219-400 packages per min. Max. belt speed: 70-170 m/min Min. belt speed: 5 m/min	Depending on length of weighing conveyor Depending on length of weighing conveyor
Device version / material	Stainless steel	1.4301
Operating panel	12" color touchscreen	
Interfaces	USB, EDP 1, 8 inputs, 8 outputs, Ethernet	EDP 1 (RS232 or RS422 or TTY)
IP rating	IP65	Conveying unit Control cabinet Display
Transport	Left to right right to left 750-1,150 mm +/-30 mm	Conveying direction Transport height
Conveyor belt	Conveyor widths: 100-225 mm Belt lengths: Weighing conveyor length: 150-750 mm Infeed conveyor length: 150-750 mm Rejection conveyor length: 150-1,250 mm Belt colors: white and blue Roll diameter: 22 mm Belt unit and quick-change belt system	100, 150, 225 mm Length specifications always as axle distance: 150, 200, 250, 325, 400, 500, 600, 750 mm 150, 200, 250, 325, 400, 500, 600, 750 mm 150, 200, 250, 325, 400, 500, 600, 750, 1,000, 1,250 mm white as a standard and blue optionally available Rollers made of aluminum, surface hard coated
Ambient conditions	0 °C to +40 °C 20 - 90%, non-condensing	Operating temperature Humidity
Energy supply	100-240 V, 50-60 Hz 500-750 VA 6 bar	Power supply Power consumption Compressed air supply
Software licenses	STATISTICS WEIGHT_CLASSES	To create statistics For classification of more than 3 products
Software variants	Code page software UNICODE software	Data transfer (texts & strings) Data transfer (texts & strings) in UTF-8 coding
further characteristics	Article memory Weight classes Remote maintenance Web interface	100,000 80

Sending of status e-mails

Options	Facts	Details
Metrologically approved as per OIML R 87	Prepack regulations (FPV) control, verifiable only for weighing belt lengths from 150 mm to 400 mm	The checkweighers are metrologically approved as per accuracy class XIII (1) and therefore suitable for prepack regulations control.
Metal detector	integrated metal detector	The metal detector is operated from the display of the checkweigher.
	Metal detector belt length	750 mm
Operating panel	7" color display with membrane keyboard	WVGA (800x480)
Indexing belt length	150, 200, 250, 325, 400, 500, 600, 750 mm	Shaft distance
Rejection systems	Air-jet nozzle	Further rejection systems upon request as a project
	Pusher	
Reject bin	Stainless steel	150 200 300 400 x 300 x 750 mm, Opening: 200 mm
	Dimensions (L x D x H)	
	Container fill level check	Light sensor
	Ejection monitoring	1 light sensor or 4 light sensors
	Lock for reject bin	available as latch or lock
	Door monitoring	stops the system when the reject bin door is open after expiration of an adjustable time
Protocol printer	Mounted to control cabinet	Incl. license LINE_PRINTER and serial interface
Emergency stop	Emergency stop with belt switch-off	Mounted to main column, turns off conveyor drives
	Emergency stop with pneumatic system and belt switch-off	additionally switches off the pneumatic system
Signal lamp	2-color	Red = fault, green = device okay
	3-color	Red = fault, yellow = stop, green = belts running
Emergency operation function	The conveyor belts of the checkweighers can be started manually even if the operating and control unit failed.	The belts run in order to ensure the production flow (without weighing function). Operation via extra module in the control cabinet with adjustable belt speeds.
Tendency control kit	Incl. license Tendency Control and relay	
Line integration kit	3 outputs via relay and 1 input	
Flow control	Light sensor	
Draft shield	from the top	reduces interfering influences resulting from drafts
	from bottom	
Guiding bars	available for all belt lengths	
Belt transition plates	available for all belt widths	closes the gaps between the belt bodies
Compressed air monitoring	stops the system when air pressure drops	
Software licenses	BRIDGE+MC_BUFFER VERIFIABLE_X1	For buffering data in the event of LAN / pc failure as per prepack regulations, incl. conformity assessment
	ETHERNET	Ethernet connection via TCP/IP
	ONLINE	Communication via Gx-Net via ETHERNET

SOFTCONTROL
TENDENCY CONTROL
LINE_PRINTER

For operation from a second work station
To regulate filling systems (without relay)
Required for external printer

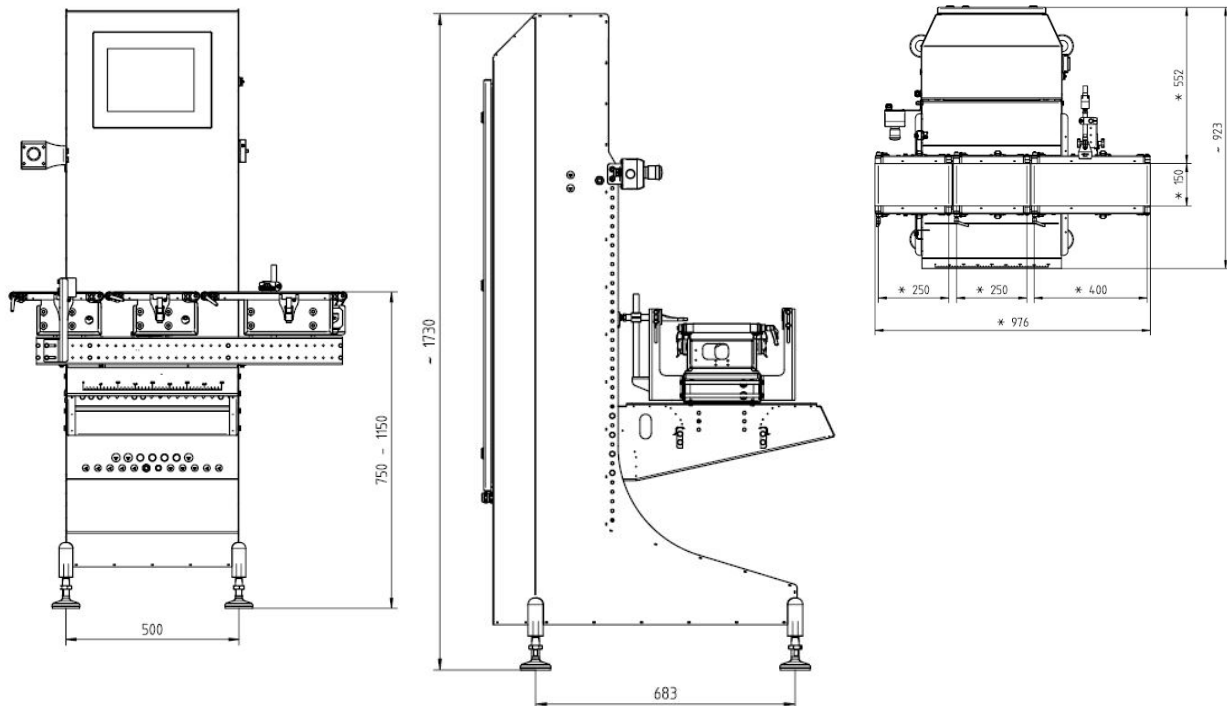
Info graphics

Symbols



400 packages per minute
IP65 protection
Unicode
e (metrologically approved)
Stainless steel
EMFR

Dimensional drawings



Bizerba SE & Co. KG
Wilhelm-Kraut-Straße 65
72336 Balingen

T +49 7433 12-0
fax: +49 7433 12-2696
marketing@bizerba.com

www.bizerba.com