

Fact Sheet

ITC-S2

BIZERBA

ITC-S2 is a combined solution for your shipping. This dual-range scale is of stable and compact design and fitted with a double load cell system. Whether you want to weigh parcels of up to 32 kg with 10 g precision or letters, small parcels and shipments with up to 1 gram precision: You benefit from easy, fast and safe handling.



More information
High performance with a wide range of solutions and options.

Specifications	Facts	Details
Dimensions weighing platform	W x L x H: 350 x 248 x 112 mm	Adjustable height: +10 mm
Material weighing platform	Base and load support: Galvanized steel or made of aluminum Bell-shaped platform: Stainless steel	Bell-shaped platform curved 4 times for fast removal of letters and safe fixation of round shipments
Weighing ranges	Two-range scale 3 kg/1g 32 kg/10 g	Automatic switching of the scale interval as from 3 kg: 1 g to 10 g
Load cells	SP4M 15 kg PW10A 100 kg	Weight range up to 3 kg, material: Aluminum Weight range up to 32 kg, material: Aluminum
Display	7-segment display	Digit size 20 mm
Keyboard	6 keys + ON/OFF key	3 keys serve as basic functions: Test, zero setting, recording
IP rating	IP43 IP30	Device Plug-in transformer unit
Operating temperature	-10 °C to +40 °C	
Mains supply	230 V AC	Via plug-in transformer unit

Options	Facts	Details
Additional customer display	For integration in a work table	

Symbols



Protection class

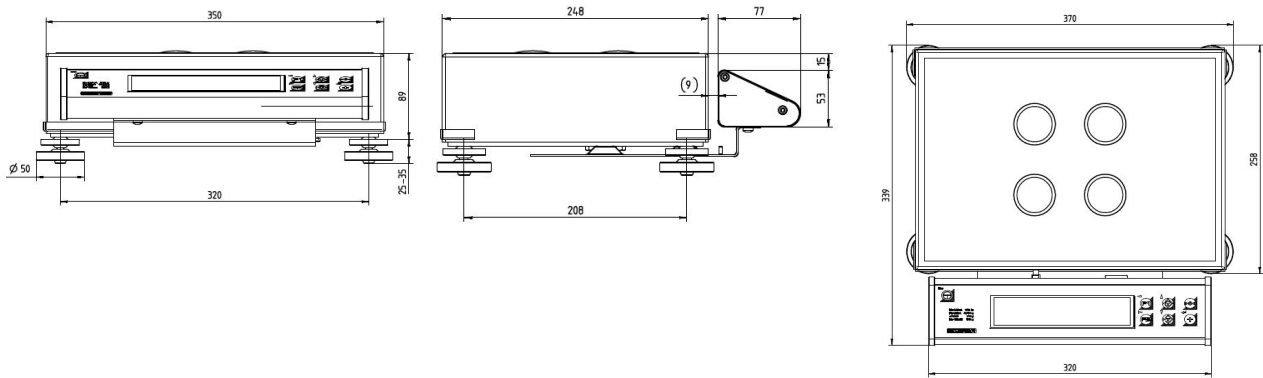


Metrologically approved



Stainless steel

Dimensional drawings



Bizerba SE & Co. KG
Wilhelm-Kraut-Straße 65
72336 Balingen

T +49 7433 12-0
fax: +49 7433 12-2696
marketing@bizerba.com

www.bizerba.com