

Fact Sheet

GLM-levo 150

BIZERBA

GLM-levo – the standard in the field of labeling. "The Big 3": Performance, Plug-I® label and Quality-Check-Inside – This is the outstanding benefit for your future requirements in price and product labeling.



More information
High performance
with a wide range of
solutions and options.

Specifications	Facts	Details
Weighing ranges	6 kg	Verification scale interval 2 g (optionally 1g), min. FPV 500/150 g
	6/10 kg	Verification scale interval 1/2 g, min. FPV 150 g
	12 kg	Verification scale interval 2 g, min. FPV 500 g
	6/15 kg	Verification scale interval 2/5 g, min. FPV 150 g
Weighing belt dimensions	W 300 mm x L 400 mm	6 kg
	W 300 mm x L 500 mm	6 kg, 6/10 kg
	W 300 mm x L 700 mm	6 kg
Printing technology	Printing method	Thermal direct (optionally thermal transfer)
	Resolution	8 dot/mm (optional 12 dot/mm)
	Print width	80 mm (optional 104 mm)
	Print speed	max. 300 mm/s
	Label output	120 mm
Labeler	Label size	min. W 30 mm x H 30 mm to W 120 mm x H 150 mm (depending on applicator type, further dimensions available as special version)
	Label roll	Core diameter 76 mm (optionally 74 - 82 mm, 99 - 107 mm) Outer diameter 300 mm
	Thermal transfer ribbon	Core diameter 25.4 mm Outer diameter 81 mm
Labeling technology	Air-jet applicator	Compressed air supply 6 bar, for top or bottom labeler
	Piston applicator	Compressed air supply 2 bar, for top or bottom labeler
	Rotary applicator	for top labeler only
	Belt applicator	for bottom labeler only
Labeler setting	Height adjustment	powered
	Lateral adjustment	powered
Package size	min. W 40 mm x L 40 mm x H >1 mm	depending on weighing belt dimensions
	Max. W 300 mm L x 450 mm H x 250 mm	
Vision system	LabelSecure T basic (optional, fully integrated, package-synchronous communication)	100% quality control: Label position, logo identification, presence monitoring, barcode / data code reader (1D, 2D), OCR text recognition
Labeling capacity	max. 150 ppm	Depending on device version, weight, package type and label size

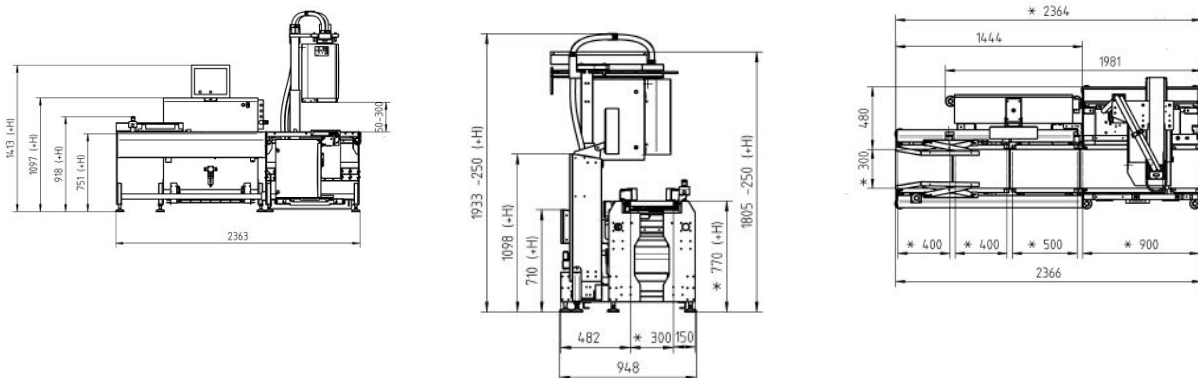
Barcode versions	all common barcode versions	EAN/UPC 8, EAN/UPC 13, EAN/UPC 128, Code 2/5 int. Code 39, Code 128, GS1-128, PDF 417, PDF 417 with AI, GS1 DataBar Omni, GS1 DataBar, Data Matrix, QR code
Mains voltage	400V/50Hz 208V/60Hz	3*-phased
Operating temperature	0 °C to 40 °C	Stand-by up to -10 °C
Humidity	20 - 90% non-condensing	
IP rating	IP20 IP54	Printers Scale, transport, control cabinet
Memory	500 MB	Compact Flash card
Operating unit	12" color touchscreen	optional industrial PC iS75 Operating concept with one or several displays possible

Options	Facts	Details
Rotation and alignment station	For products of up to 6 kg	Attachment in place of infeed conveyor Rotation of packages from crosswise to lengthwise
Alignment rails	For infeed and indexing conveyor	not possible for turn and align station
Rejection function	Pusher Package ejector	up to 2 kg (optionally up to 6 kg)
Metal detector		can be integrated in system

Symbols



Dimensional drawings



Bizerba SE & Co. KG

Wilhelm-Kraut-Straße 65
72336 Balingen

T +49 7433 12-0
fax: +49 7433 12-2696
marketing@bizerba.com

www.bizerba.com